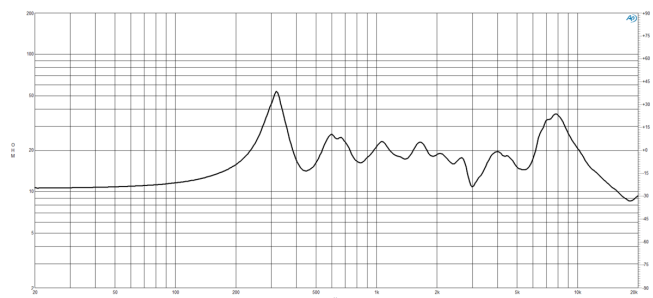
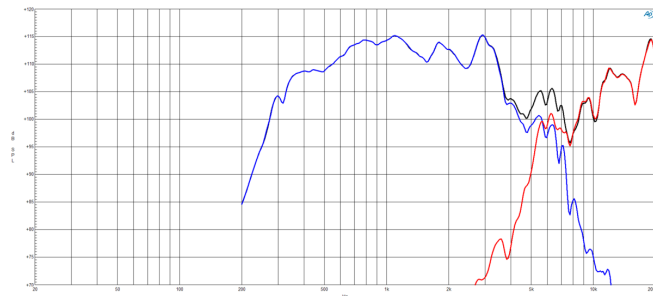
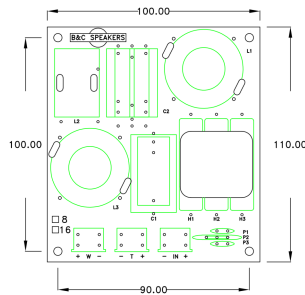
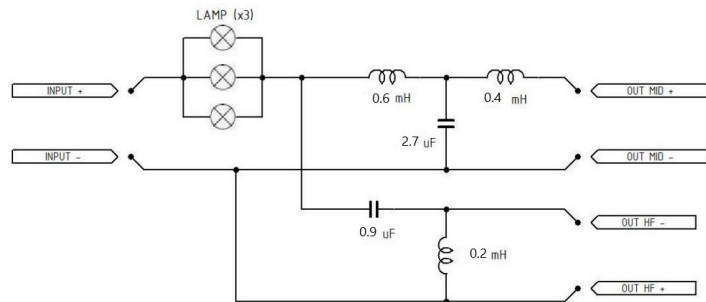
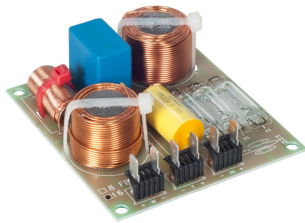


# FB35416

16Ω

## Crossovers



**DESCRIPTION**

Completing the most accurate point source solution available, B&C Speakers offers the FB354 passive crossover for our [DCX354](#) coaxial compression driver. Specifically designed for use in conjunction with the [ME464](#), 300Hz horn, users of all types can now have flat high-fidelity response out of the box using 100% OEM components. The FB354 crossover phase aligns the mid and high frequency elements of the DCX354, and implements an asymmetrical slope crossover at 5.6kHz yielding flat response, with no loss in sensitivity. This crossover frequency best balances energy between the two diaphragms for minimum distortion at all output levels. Series protection is additionally provided by industrial filament bulbs which prevent over power or inconsistent tonal balance at very high output.

---

**SPECIFICATIONS**

Nominal Impedance	16 $\Omega$
Crossover Frequency	5.6 kHz
Filter Type	Two Way
Low-pass Slope	18.0 dB/oct
High-pass Slope	12.0 dB/oct
Overall Dimensions	100x110 mm (3.94x4.33 in)

**MOUNTING AND SHIPPING INFO**

Net Weight	0.37 kg (0.82 lb)
Shipping Units	1
Shipping Weight	0.4 kg (0.87 lb)
Shipping Box	120x125x35 mm (4.72x4.92x1.38 in)
Other Details	4 mm diameter holes on the PCB at 100 mm x 90 mm