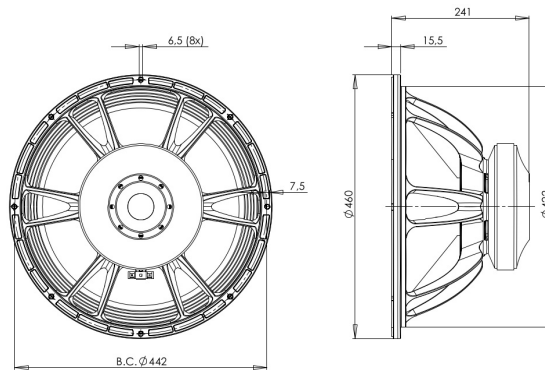


18XM3000

8Ω**LF Drivers - 18.0 Inches**

- 3000 W continuous program power capacity
- 100 mm (4 in) split winding copper voice coil
- 35 - 1000 Hz response
- 96 dB sensitivity
- 57 mm peak-to-peak excursion before damage
- Double silicone spider with optimized compliance
- Ventilated voice coil gap for reduced power compression
- Aluminium demodulating ring for very low distortion

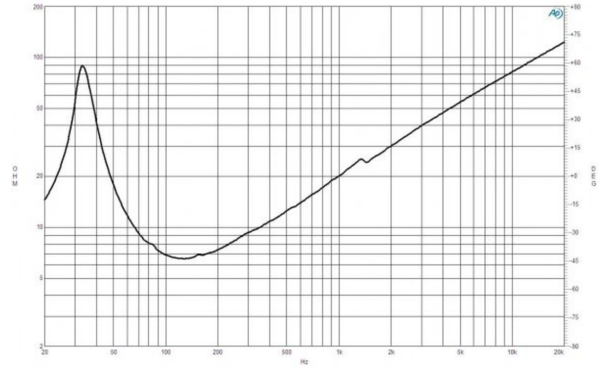
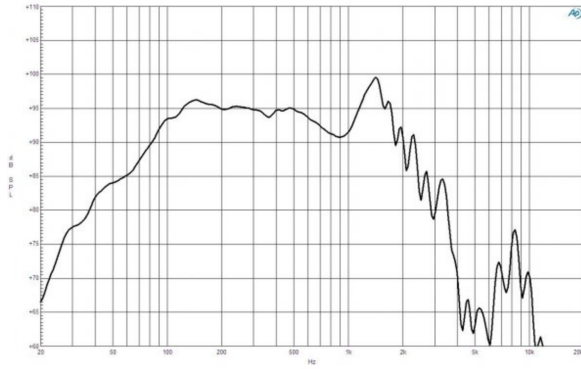
Limited Distribution Product

Mexico only - [Contact ProAudio Comercializadora](#) for more information.



18XM3000

LF Drivers- 18.0 Inches



SPECIFICATIONS

| | |
|--|-------------------|
| Nominal Diameter | 460 mm (18.0 in) |
| Nominal Impedance | 8 Ω |
| Minimum Impedance | 6.5 Ω |
| Nominal Power Handling ¹ | 1500 W |
| Continuous power handling ² | 3000 W |
| Sensitivity (1W/1m) ³ | 96.0 dB |
| Frequency Range | 35 - 1000 Hz |
| Voice Coil Diameter | 100 mm (4.0 in) |
| Winding Material | Copper |
| Former Material | Glass Fibre |
| Winding Depth | 31.0 mm (1.22 in) |
| Magnetic Gap Depth | 15.0 mm (0.59 in) |
| Flux Density | 1.15 T |

DESIGN

| | |
|-----------------------|---|
| Surround Shape | Triple Roll |
| Cone Shape | Radial |
| Magnet Material | Ferrite |
| Spider | Double Silicone |
| Pole Design | T-Pole |
| Woofer Cone Treatment | TWP Waterproof Both Sides |
| Recommended Enclosure | 200.0 dm ³ (7.06 ft ³) |
| Recommended Tuning | 32 Hz |

PARAMETERS⁴

| | |
|---------------------|---|
| Resonance Frequency | 35 Hz |
| Re | 5.3 Ω |
| Qes | 0.41 |
| Qms | 8.0 |
| Qts | 0.39 |
| Vas | 175.0 dm ³ (6.18 ft ³) |
| Sd | 1210.0 cm ² (187.6 in ²) |
| η_0 | 1.76 % |
| Xmax | \pm 12.0 mm |
| Xvar | \pm 14.0 mm |
| Mms | 245.0 g |
| Bl | 26.4 Txm |
| Le | 2.45 mH |
| EBP | 85 Hz |

MOUNTING AND SHIPPING INFO

| | |
|-------------------------------|--|
| Overall Diameter | 460 mm (18.0 in) |
| Bolt Circle Diameter | 442 mm (17.4 in) |
| Baffle Cutout Diameter | 422.0 mm (16.6 in) |
| Depth | 241 mm (9.5 in) |
| Flange and Gasket Thickness | 16 mm (0.61 in) |
| Air Volume Occupied by Driver | 11.0 dm ³ (0.39 ft ³) |
| Net Weight | 15.4 kg (33.95 lb) |
| Shipping Units | 1 |
| Shipping Weight | 14.6 kg (32.19 lb) |
| Shipping Box | 500x495x275 mm (19.69x19.49x10.83 in) |

SERVICE KIT

| | |
|------------|--------------|
| Recone kit | RCK18XM30008 |
|------------|--------------|

1. 2 hours test made with continuous pink noise signal within the range Fs-10Fs. Power calculated on rated minimum impedance. Loudspeaker in free air.
2. Power on Continuous Program is defined as 3 dB greater than the Nominal rating.
3. Applied RMS Voltage is set to 2.83 V for 8 ohms Nominal Impedance.
4. Thiele-Small parameters are measured after a high level 20 Hz sine wave preconditioning test.

B&C Speakers s.p.a.

Via Poggiomoro, 1 - Loc. Vallina, 50012 Bagno a Ripoli (FI) - ITALY - Tel. +39 055 65721 - Fax +39 055 6572312 - mail@bcspeakers.com