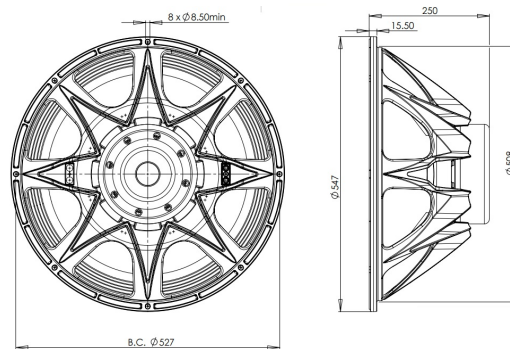


21SW150

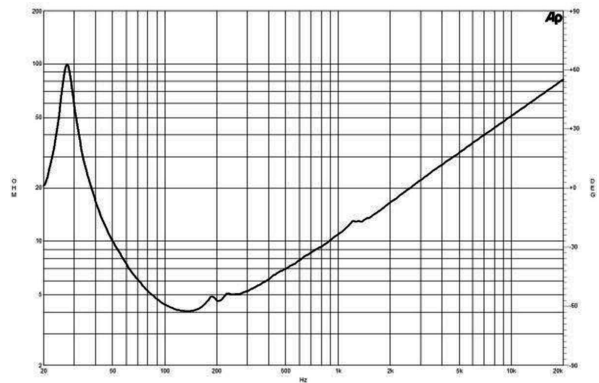
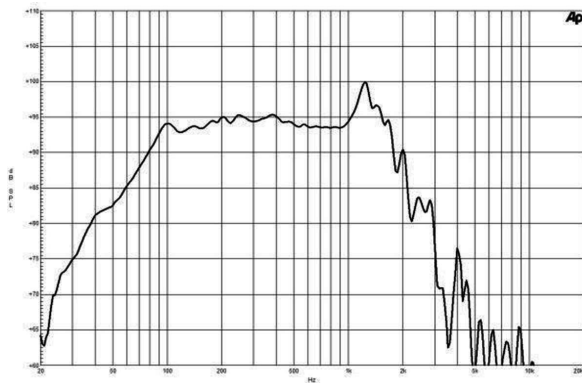
4Ω**LF Drivers - 21.0 Inches**

- 3000 W continuous program power capacity
- 150 mm (6 in) copper voice coil
- 30 - 1000 Hz response
- 95 dB sensitivity
- Ventilated voice coil and aluminium demodulating ring
- 60 mm peak-to-peak excursion before damage
- Double silicone spider with optimized compliance
- The next generation 21" subwoofer from B&C features a massive neodymium ring magnet coupled with a 150 mm (6") split winding voice coil, that safely allows over 60 mm (2.5") of controlled peak-to-peak excursion. The newly engineered, ventilated chassis and double silicone spider keep things safe and cool.



21SW150

LF Drivers- 21.0 Inches



SPECIFICATIONS

Nominal Diameter	530 mm (21.0 in)
Nominal Impedance	4 Ω
Minimum Impedance	4.0 Ω
Nominal Power Handling ¹	1500 W
Continuous power handling ²	3000 W
Sensitivity (1W/1m) ³	95.0 dB
Frequency Range	30 - 1000 Hz
Voice Coil Diameter	150 mm (6.0 in)
Winding Material	Copper
Former Material	Glass Fibre
Winding Depth	30.0 mm (1.18 in)
Magnetic Gap Depth	12.0 mm (0.5 in)
Flux Density	1.2 T

DESIGN

Surround Shape	Triple Roll
Cone Shape	Radial
Magnet Material	Neodymium Ring
Spider	Double Silicone
Pole Design	T-Pole
Woofer Cone Treatment	TWP Waterproof Both Sides
Recommended Enclosure	190.0 dm ³ (6.71 ft ³)
Recommended Tuning	33 Hz

PARAMETERS⁴

Resonance Frequency	29 Hz
Re	3.0 Ω
Qes	0.27
Qms	8.1
Qts	0.26
Vas	254.0 dm ³ (8.9 ft ³)
Sd	1680.0 cm ² (260.4 in ²)
η _o	2.0 %
X _{max}	± 15.0 mm
X _{var}	± 16.0 mm
M _{ms}	494.0 g
Bl	32.6 Txm
Le	1.3 mH
EBP	107 Hz

MOUNTING AND SHIPPING INFO

Overall Diameter	547 mm (21.5 in)
Bolt Circle Diameter	527 mm (20.7 in)
Baffle Cutout Diameter	508.0 mm (20.0 in)
Depth	250 mm (8.2 in)
Flange and Gasket Thickness	16 mm (0.62 in)
Air Volume Occupied by Driver	0.0 dm ³ (0.0 ft ³)
Net Weight	18.0 kg (40.0 lb)
Shipping Units	1
Shipping Weight	20.3 kg (44.75 lb)
Shipping Box	570x570x320 mm (22.44x22.44x12.60 in)

SERVICE KIT

Recone kit	RCK21SW1504
------------	-------------

1. 2 hours test made with continuous pink noise signal within the range Fs-10Fs. Power calculated on rated minimum impedance. Loudspeaker in free air.
2. Power on Continuous Program is defined as 3 dB greater than the Nominal rating.
3. Applied RMS Voltage is set to 2V for 4 ohm Nominal Impedance
4. Thiele-Small parameters are measured after a high level 20 Hz sine wave preconditioning test.