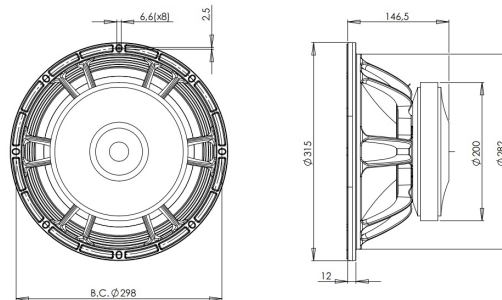


# 12FW76

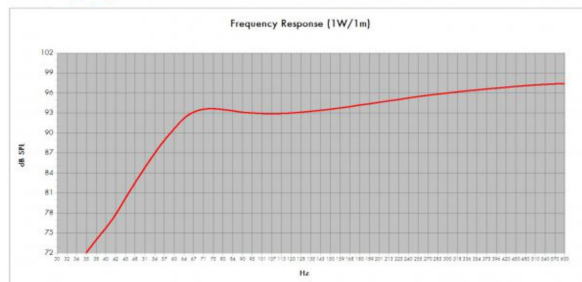
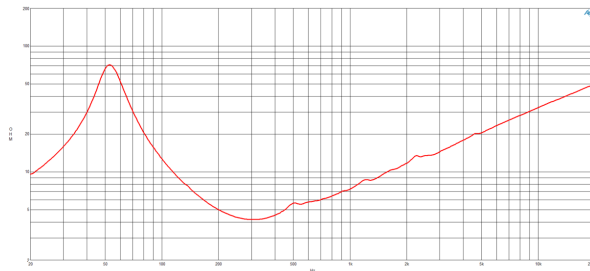
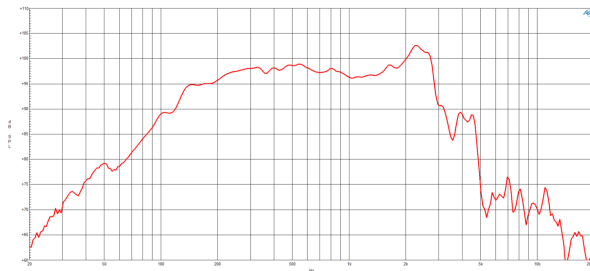
**4Ω****LF Drivers - 12.0 Inches**

- 1000 W continuous program power capacity
- 76 mm (3 in) copper voice coil
- 55 - 3000 Hz response
- 99 dB sensitivity
- Aluminium demodulating ring allows a very low distortion figure



# 12FW76

LF Drivers- 12.0 Inches



Model: 12FW76  
 Enclosure Type: Bass Reflex Configuration: One Driver  
 Nominal Net Volume (liters): 40 GR: 4  
 Tuning Frequency (Hz): 65 Port Area (cm<sup>2</sup>): 138,7  
 Frequency (-3 dB) (Hz): 230,4 Port Length (cm): 13,1

## SPECIFICATIONS

Nominal Diameter	320 mm (12.0 in)
Nominal Impedance	4 Ω
Minimum Impedance	4.2 Ω
Nominal Power Handling <sup>1</sup>	500 W
Continuous power handling <sup>2</sup>	1000 W
Sensitivity (1W/1m) <sup>3</sup>	99.0 dB
Frequency Range	55 - 3000 Hz
Voice Coil Diameter	76 mm (3.0 in)
Winding Material	Copper
Former Material	Glass Fibre
Winding Depth	19.0 mm (0.75 in)
Magnetic Gap Depth	11.0 mm (0.43 in)
Flux Density	1.35 T

## DESIGN

Surround Shape	Triple Roll
Cone Shape	Exponential
Magnet Material	Ferrite
Spider	Single
Pole Design	T-Pole
Woofer Cone Treatment	WP Waterproof Front Side
Recommended Enclosure	40.0 dm <sup>3</sup> (1.41 ft <sup>3</sup> )
Recommended Tuning	65 Hz

## PARAMETERS<sup>4</sup>

Resonance Frequency	54 Hz
Re	3.1 Ω
Qes	0.17
Qms	4.2
Qts	0.18
Vas	48.5 dm <sup>3</sup> (1.71 ft <sup>3</sup> )
Sd	522.0 cm <sup>2</sup> (80.91 in <sup>2</sup> )
η <sub>o</sub>	4.15 %
Xmax	± 7.0 mm
Xvar	± 8.5 mm
Mms	69.5 g
Bl	20.4 Txm
Le	1.0 mH
EBP	317 Hz

## MOUNTING AND SHIPPING INFO

Overall Diameter	315 mm (12.4 in)
Bolt Circle Diameter	298 mm (11.7 in)
Baffle Cutout Diameter	283.0 mm (11.1 in)
Depth	147 mm (5.79 in)
Flange and Gasket Thickness	12 mm (0.47 in)
Air Volume Occupied by Driver	3.0 dm <sup>3</sup> (0.1 ft <sup>3</sup> )
Net Weight	8.55 kg (18.85 lb)
Shipping Units	1
Shipping Weight	9.45 kg (20.83 lb)
Shipping Box	360x360x200 mm (14.17x14.17x7.87 in)

## SERVICE KIT

Recone kit	RCK12FW768
------------	------------

B&C Speakers s.p.a.

Via Poggiomoro, 1 - Loc. Vallina, 50012 Bagno a Ripoli (FI) - ITALY - Tel. +39 055 65721 - Fax +39 055 6572312 - mail@bcspeakers.com

1. 2 hours test made with continuous pink noise signal within the range Fs-10Fs. Power calculated on rated minimum impedance. Loudspeaker in free air.
2. Power on Continuous Program is defined as 3 dB greater than the Nominal rating.
3. Applied RMS Voltage is set to 2V for 4 ohm Nominal Impedance
4. Thiele-Small parameters are measured after a high level 20 Hz sine wave preconditioning test.