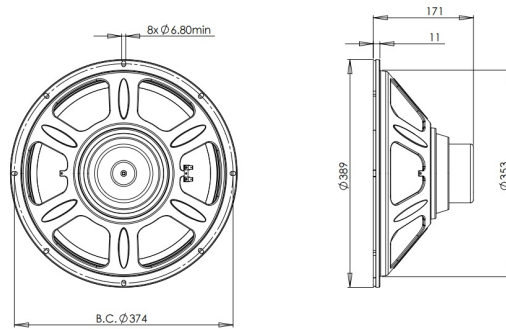


# 15CL76

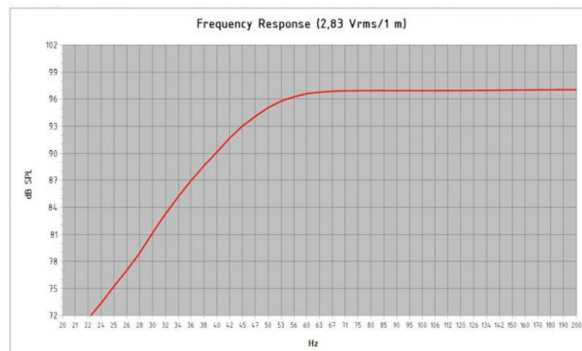
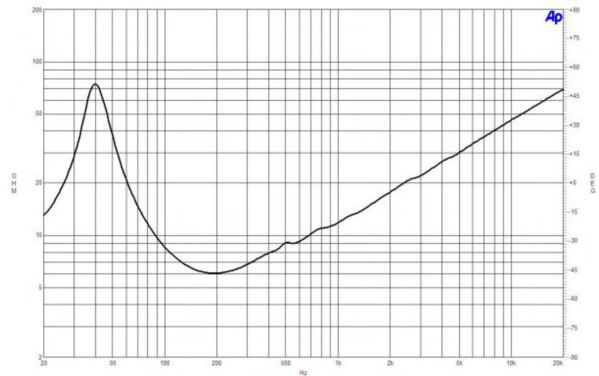
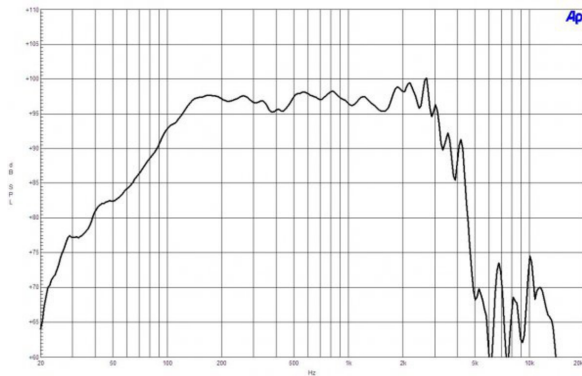
**8Ω****LF Drivers - 15.0 Inches**

- 800 W continuous program power capacity
- 76 mm (3 in) copper voice coil
- 40 - 3000 Hz response
- 98.5 dB sensitivity
- Ventilated voice coil gap for reduced power compression



# 15CL76

LF Drivers- 15.0 Inches



Model: **15 CL 76**  
 Enclosure Type: **Bass Reflex**  
 Internal Net Volume (Liters): **100**  
 Tuning Frequency (Hz): **47**  
 Frequency (-3 dB) (Hz): **47.4**  
 Port Area (cm<sup>2</sup>): **222.3**  
 Port Length (cm): **15.5**  
 Excursion Limited Maximum SPL at 1 meter (dB): **121.5** equal to **343.9** Watts (Bass Band Power Rating)  
 Thermal Limited Maximum SPL at 1 meter (dB): **122.1** equal to **400.0** Watts (Mid Band Power Rating)

## SPECIFICATIONS

Nominal Diameter	380 mm (15.0 in)
Nominal Impedance	8 Ω
Minimum Impedance	6.3 Ω
Nominal Power Handling <sup>1</sup>	400 W
Continuous power handling <sup>2</sup>	800 W
Sensitivity (1W/1m) <sup>3</sup>	98.5 dB
Frequency Range	40 - 3000 Hz
Voice Coil Diameter	76 mm (3.0 in)
Winding Material	Copper
Former Material	Glass Fibre
Winding Depth	19.0 mm (0.75 in)
Magnetic Gap Depth	11.0 mm (0.43 in)
Flux Density	1.15 T

## DESIGN

Surround Shape	Triple Roll
Cone Shape	Exponential
Magnet Material	Neodymium Inside Slug
Spider	Single
Pole Design	Straight Pole
Woofer Cone Treatment	WP Waterproof Front Side
Recommended Enclosure	100.0 dm <sup>3</sup> (3.53 ft <sup>3</sup> )
Recommended Tuning	47 Hz

## PARAMETERS<sup>4</sup>

Resonance Frequency	42 Hz
Re	5.1 Ω
Qes	0.34
Qms	7.9
Qts	0.33
Vas	135.0 dm <sup>3</sup> (4.8 ft <sup>3</sup> )
Sd	855.0 cm <sup>2</sup> (132.5 in <sup>2</sup> )
η <sub>o</sub>	2.9 %
X <sub>max</sub>	± 7.0 mm
X <sub>var</sub>	± 8.5 mm
M <sub>ms</sub>	108.0 g
Bl	21.0 Txm
Le	1.3 mH
EBP	123 Hz

**MOUNTING AND SHIPPING INFO**

Overall Diameter	389 mm (15.31 in)
Bolt Circle Diameter	374 mm (14.72 in)
Baffle Cutout Diameter	353.0 mm (13.9 in)
Depth	171 mm (6.73 in)
Flange and Gasket Thickness	11 mm (0.43 in)
Air Volume Occupied by Driver	4.4 dm <sup>3</sup> (0.15 ft <sup>3</sup> )
Net Weight	3.8 kg (8.38 lb)
Shipping Units	1
Shipping Weight	5.1 kg (11.24 lb)
Shipping Box	425x425x224 mm (16.73x16.73x8.82 in)

**SERVICE KIT**

Recone kit	RCK15CL768
------------	------------

1. 2 hours test made with continuous pink noise signal within the range Fs-10Fs. Power calculated on rated minimum impedance. Loudspeaker in free air.
2. Power on Continuous Program is defined as 3 dB greater than the Nominal rating.
3. Applied RMS Voltage is set to 2.83 V for 8 ohms Nominal Impedance.
4. Thiele-Small parameters are measured after a high level 20 Hz sine wave preconditioning test.